

CV402

OPERATING INSTRUCTIONS





CE Declaration of conformity

The undersigned manufacturer:

**SAINT - GOBAIN ABRASIVES S.A.
190, BD. J. F. KENNEDY
L-4930 BASCHARAGE**

Declares that this product :

Dust extractor : **CV402**

Code : **3104 36601**

is in conformity with the following Directives :

- ***European Machinery Directive 2006/42/CE***
- ***"LOW VOLTAGE" 2006/95/CE***
- ***Electromagnetic Compatibility Directive 2004/108/CE***

A handwritten signature in black ink, appearing to read "Olivier Plenert", with a long horizontal flourish extending to the right.

Olivier Plenert
Machine Design Manager

CV402

OPERATING INSTRUCTIONS

1	<u>BASIC SAFETY INSTRUCTIONS.....</u>	<u>6</u>
1.1	<i>Safety instructions for particular operating phases.....</i>	<i>6</i>
2	<u>MACHINE DESCRIPTION</u>	<u>7</u>
2.1	<i>Short description</i>	<i>7</i>
2.2	<i>Purpose of use.....</i>	<i>7</i>
2.3	<i>Technical Data.....</i>	<i>7</i>
3	<u>ASSEMBLY AND COMMISSIONING</u>	<u>8</u>
3.1	<i>Electrical connections</i>	<i>8</i>
3.2	<i>Starting the machine.....</i>	<i>8</i>
3.3	<i>Use</i>	<i>8</i>
3.4	<i>Use of a paper bag.....</i>	<i>8</i>
4	<u>MAINTENANCE AND SERVICING</u>	<u>9</u>
4.1	<i>Shaking the primary filter</i>	<i>9</i>
4.2	<i>Emptying the container</i>	<i>9</i>
4.3	<i>Primary filter replacement.....</i>	<i>9</i>
5	<u>FAULTS : CAUSES AND CURES</u>	<u>10</u>
5.1	<i>Fault-finding procedures.....</i>	<i>10</i>
5.2	<i>Trouble-shooting guide</i>	<i>11</i>
5.3	<i>Spare part.....</i>	<i>12</i>
5.4	<i>Circuit diagram.....</i>	<i>13</i>
5.5	<i>Customer service.....</i>	<i>13</i>

1 BASIC SAFETY INSTRUCTIONS

Before starting the dust extractor, it is absolutely essential to read these operating instructions and to keep them ready at hand for consultation. The extractor can only be used by people who are familiar with the way it works and who have been explicitly authorized and trained for the purpose.

Before using it, the operator must be informed, instructed and trained on how to work it and for which substances its usage is permitted including the safe method for removing and disposing of the vacuumed material.

The CV402 is exclusively designed for the extraction of cutting dust mainly on construction sites.

Risk of fire outbreaks and explosions.

The extractor can only be used when active sources of ignition are not going to be vacuumed. It is forbidden to vacuum the following materials :

Burning materials (embers, hot ashes, lighted cigarettes, etc.), flammable liquids, aggressive fuels (e.g. gasoline, solvents, acids, alkaline solutions, etc.) and mixtures of flammable dust and liquids.

Uses other than the manufacturer's instructions shall be considered as contravening the regulations. The manufacturer shall not be held responsible for any resulting damage. Any risk shall be borne entirely by the user. Observing the operating instructions and compliance with inspection and servicing requirements shall also be considered as included under use in accordance with the regulations.

1.1 *Safety instructions for particular operating phases*

Before commencing work

- Before commencing work, make yourself familiar with the working environment at the place of use. The working environment includes: obstacles in the area of work, necessary protection at the site relating to public thoroughfares and the availability of help in the event of accidents.
- Site the machine on an even, firm and stable base

Electrical powered machine

- Always turn off the machine and separate it from the main source of electricity before any work on the machine is done.
- Make all electrical connections securely to eliminate contact of live wires with spray water or dampness
- It is IMPERATIVE that you earth the machine properly.
- The machine must be turned off immediately when a danger appears.
- In the event of the machine breaking down or stopping for no apparent reason, switch off the main electricity supply. Only a qualified electrician is allowed to investigate the trouble and remedy the fault.

2 MACHINE DESCRIPTION

Any modification, which could lead to a change in the original characteristics of the machine, may be done only by Saint-Gobain Abrasives who shall confirm that the machine is still in conformity with the safety regulations.

2.1 *Short description*

The dust extractor CV402 is a strong and performing machine with a powerful engine, ideal for dust and water suction effect. It comes with plenty of accessories which allows it to be efficient on every construction sites.

2.2 *Purpose of use*

The machine is designed for the extraction of cutting dust either dry or wet.

2.3 *Technical Data*

Supply voltage	230V 1~
Power	2,0kW (2 motors)
Fuse / Generator	16A / 4kVA
Filter	3 μ (HEPAC)
Accessories	Paper bag
Airflow	380 m ³ /h
Vacuum suction	200 mbar
Tank material	PP
Tank capacity	60L
Noise level	78 db(A)
Dimensions (LxWxH)	600 x 540 x 950mm
Weight	21kg

3 ASSEMBLY AND COMMISSIONING

The machine is delivered fully equipped and assembled and is ready for operation after connection to the appropriate power supply.

3.1 *Electrical connections*

Check that :

- The voltage supply corresponds to the information indicated on the machine.
- Available power supply must have ground connection in conformity with safety regulations.
- The connection wires must be in a perfect condition (damages cables could lead to electric shocks).

3.2 *Starting the machine*

Before to start, check :

- The filter is installed
- The vacuum hose and the accessories have been correctly fitted into the inlet

Turn on the power switch once the check up is done.

3.3 *Use*

When operating, do not :

- Crush, pull, damage or step on the cable that connects to the electricity mains
- Only disconnect the cable by removing the plug (do not pull the wire)
- Only replace the electric power cable with one of the same type as the original; the same rule applies if an extension is used
- The wire must be replaced by the manufacturer's service centre staff or by equivalent qualified personnel

After using, the extractor must not be stored outdoor or in a damp place.

3.4 *Use of a paper bag*

The bag paper is designed to be used only dry for aspiration of dust.

4 MAINTENANCE AND SERVICING

Disconnect the extractor from its power source before cleaning, servicing or replacing parts; the plug must be removed from the socket. The precautions described below must be taken during all the maintenance operation.

Indication :

- Carry out only the maintenance operations described in this manual.
- Use only original spare parts.
- Do not modify the machine in any way.
- To allow the user to carry out the maintenance operations, the extractor must be disassembled, cleaned and overhauled.
- Compartments that are not dust-tight must be opened with suitable tools (screwdrivers, wrenches, etc.) and thoroughly cleaned.
- Carry out a technical inspection at least once a year. This inspection must be carried out by the manufacturer or by a competent person.

Failure to comply with these instructions could jeopardize your safety. Moreover, such action would immediately void the EC declaration of conformity issued with the dust extractor.

4.1 ***Shaking the primary filter***

Depending on the vacuumed dust quantity and if the vacuuming capability decreases considerably, shake the primary filter.

Wait before restarting the extractor to allow the dust to settle. Replace the filter element if the vacuuming capability is still low even after the filter has been shaken (consult the "Primary filter replacement" paragraph).

4.2 ***Emptying the container***

Before proceeding with these operations, turn off the machine and remove the plug from the power socket.

Indication :

- Before emptying the container it is advisable to clean the filter (see "Shaking the primary filter" paragraph)
- Release the dust container, then remove and empty it
- Make sure that the gasket is in perfect condition and correctly positioned
- Place the container back in position and secure it again

4.3 ***Primary filter replacement***

In order to replace the primary filter, unlock the extractor head with the side latches and then remove it. Remove the basket in order to extract the filter and then replace it.



5 FAULTS : CAUSES AND CURES

5.1 *Fault-finding procedures*

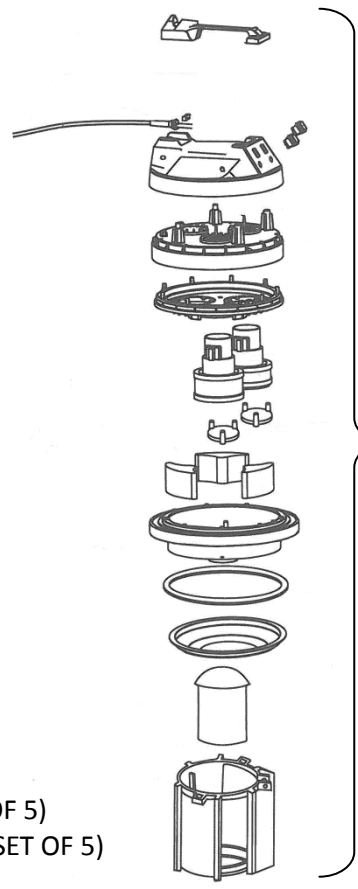
Should any fault occur during the use of the machine, turn it off, and isolate it from the electrical supply. Any works dealing with the electrical system or supply of the machine can only be carried out by a qualified electrician.

5.2 *Trouble-shooting guide*

Trouble	Possible source	Resolution
The extractor does not start	Lack of power supply	Check for power at the socket
		Check the condition of the socket and the cable
		Ask for assistance to be performed by a qualified manufacturer's technician
The engine rpm increase	Clogged primary filter	Clean the filter. Replace it if necessary
	Clogged vacuum hose	Check the vacuum hose and clean it
Dust leaks from the machine	The filter is torn	Replace it with another of identical type
	Inadequate filter	Replace it with another of suitable type and check
Noisy suction motor	Worn or broken carbon brushes	Remove and replace the motor carbon brushes
Electrostatic current on the extractor	Nonexistent or inefficient grounding	Check all grounding, particularly the union to the inlet; moreover, the hose must be strictly antistatic

5.3 Spare part

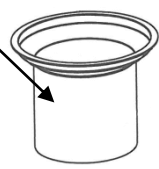
The following is a list of spare parts that should be kept ready at hand in order to speed up maintenance operations.



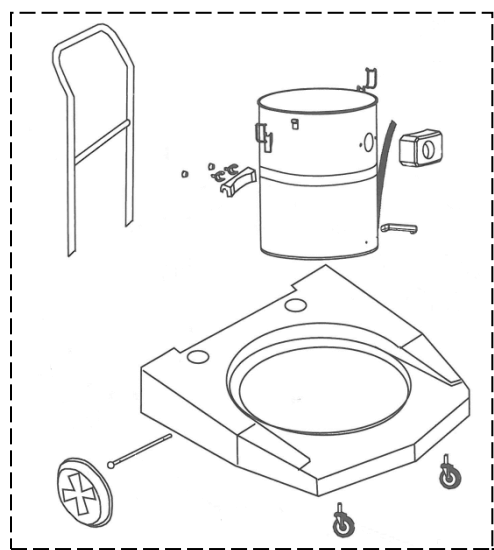
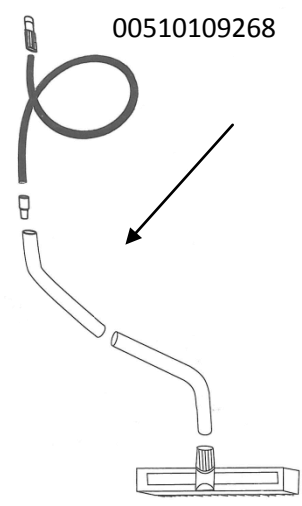
00510109266 KIT MOTOR

310387496
310387497

PAPER DUST BAG (SET OF 5)
WASHABLE DUST BAG (SET OF 5)

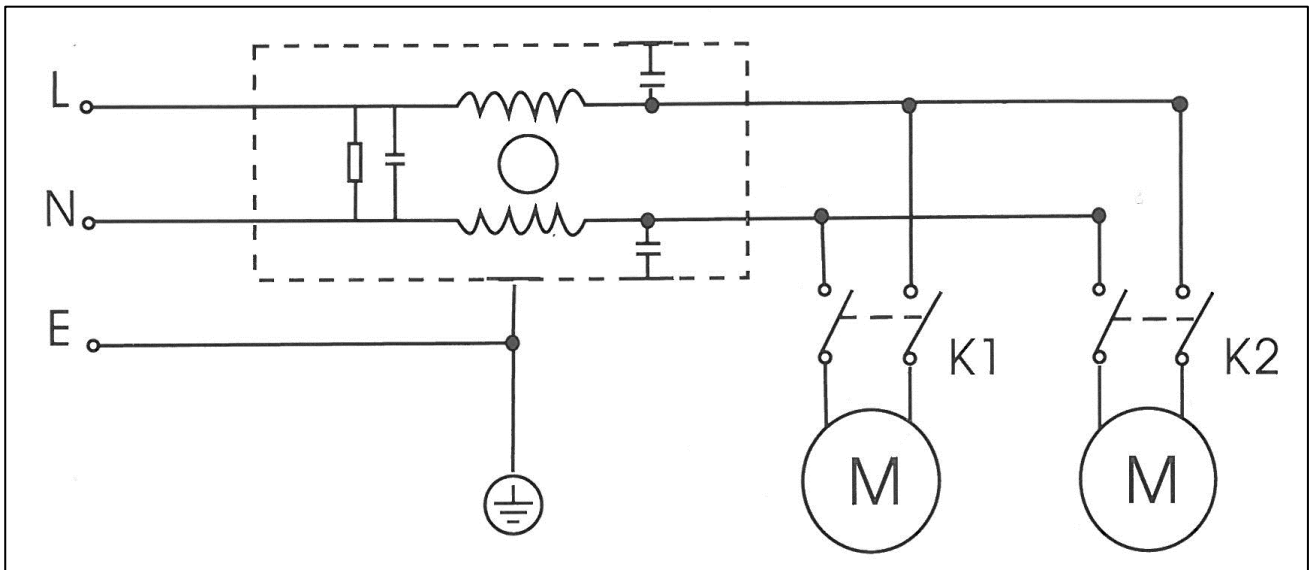


00510109268 KIT DUST HOSE



00510109267 KIT CHASSIS

5.4 **Circuit diagram**



5.5 **Customer service**

When ordering spare parts, please mention:

- The serial number (9 digits).
- The code of the part.
- The exact denomination.
- The number of parts required.
- The delivery address.
- Please indicate clearly the means of transportation required such as "express" or "by air". Without specific instructions, we will forward the parts through the means which seem appropriate to us --- but which is not always the quickest way.

Clear instructions will avoid problems and faulty deliveries.

If not sure, please send us the defective part.

In the case of a warranty claim, the part must always be returned for evaluation.

Spare parts for the motor can be ordered with the manufacturer of the motor or with their dealer, which is often quicker and cheaper.

This machine has been manufactured by Saint-Gobain Abrasives S.A.

190, Bd. J. F. Kennedy

L- 4930 BASCHARAGE

Grand-duché de Luxembourg.

Tel. : 00352-50401-1

Fax : 00352- 50 16 33

<http://www.construction.norton.eu>

e-mail: sales.nlx@saint-gobain.com

Guarantee can be claimed and technical support obtained from your local distributor where machines, spare parts and consumables can be ordered as well:

Benelux and France:

From Saint-Gobain Abrasives S.A.
Free telephone numbers:
Belgium : 0 800 18951
France: 0 800 90 69 03
Holland: 0 8000 22 02 70
e-mail: sales.nlx@saint-gobain.com

Czech Republic

Norton Diamantove Nastroje Sro
Vinohradska 184
CS-13000 PRAHA 3
Tel: 0042 0267 13 20 21
Fax : 0042 0267 13 20 21
e-mail : norton.diamonds@komerce.cz

Spain

Saint-Gobain Abrasivos S.A.
Ctra Guipuzcoa km7,5
E-31195 BERRIOPLANO (Navarra)
Tel: 0034 948 30 3000
Fax: 0034 948 30 6042
e-mail: Comercial.sga-apa@saint-gobain.com

Italy

Saint-Gobain Abrasivi S.p.A.
Via per Cesano Boscone, 4
I-20094 CORSICO-MILANO
Tel: 0039 02 44 851
Fax : 0039 024 51 01 238
e-mail : Norton.edilizia@saint-gobain.com

United Kingdom

Saint-Gobain Abrasives Ltd.
Doxey Road
Stafford
ST16 1EA
Tel : 0845 602 6222
Free fax : 0800 622 385
e-mail : nortondiamonduk@saint-gobain.com

Germany

Saint-Gobain Diamond Products GmbH
Birkenweg 45-49,
D-50389 WESSELING
Tel : (02236) 8911 0
Fax : (02236) 8911 30
e-mail: sales.ngg@saint-gobain.com

Austria

Saint-Gobain Abrasives GmbH
Telsenberggasse, 37
A-5020 SALZBURG
Tel : 0043 662 43 00 76 77
Fax : 0043 662 43 01 75
e-mail: office@sqa.net

Hungary

Saint-Gobain Abrasives KFT.
Banyaleg Utca 60B
H-1225 BUDAPEST
Tel: ++36 1 371 2250
Fax: ++36 1 371 2255
e-mail: nortonbp@axelero.hu

Poland

Saint-Gobain Diamond Products Sp.zO.O.
AL. Krakowska 110/114
PL-00-971 WARSZAWA
Tel: 0048 22 868 29 36
Tel/Fax: 0048 22 868 29 27
e-mail: norton-diamond@wp.pl

www.construction.norton.eu

Saint-Gobain Abrasives

190, Bd. J. F. Kennedy
L-4930 BASCHARAGE
LUXEMBOURG

Tel: ++352 50401-1

Fax: ++352 501633

e-mail: sales.nlx@saint-gobain.com