

# TR 200 E

## SPARE PARTS LIST



# 1. Spare parts list

POS	DESCRIPTION	ITEM NUMBER	TYPE (*)	QTY
1	Water tray	00310008300	S	1
2	Water plug assy	00310335333	S	1
3	Water pump 230V	00310365204	S	1
	Water pump 115V	00310373445		
4	Water hose	00510094466	S	1
5	Table assy	00510100752	S	1
	SCREW DIN 85 – M4X6		NSA	8
	SCREW DIN 965A – M5X20		NSA	16
6	Rubber stop (set of 2)	00510100753	W	1
7	Guiding wheels (set of 4)	00510108606	S	1
8	Blade guard assy	00510100794	S	1
	SCREW DIN933 – M5X15		NSA	3
	WASHER DIN125 - M5		NSA	3
	WASHER DIN127 - M5		NSA	3
	SCREW DIN912 – M5X20		NSA	2
	SCREW M5X20		NSA	1
9	Nut left M12 net	00310008334	S	1
10	Fixed and mobile flanges	00510100796	S	1
11	Splash guard assy	00510100797	W	1
	NUT DIN316 – M6		NSA	1
	BOLT DIN931 – M6		NSA	1
	WASHER DIN125 – M6		NSA	1
12	Cutting head assy	00510100798	S	1
13	Handle assy cutting head	00510100799	S	1
	SCREW DIN85 – M6X15		NSA	2
14	Cable support end part assy (set of 2)	00510100631	S	1
	SCREW DIN 965 – M5X10		NSA	4
15	Cable way assy (Includes pos14)	00510100801	W	1
	SCREW DIN 965 – M5X10		NSA	4
16	Guiding rail assy	00510100793	W	1
	SCREW DIN 6921 – M6X18		NSA	6
17	Guiding rail support assy	00510100804	S	1
	SCREW DIN931 – M6X16		NSA	2
	WASHER DIN125 – M6		NSA	2
18	Knob M6X12 (set of 2)	00510100805	S	1
19	Square	00510100806	S	1
20	Capacitor 230V	00310008340	S	1
	Capacitor 115V	00510100807		

POS	DESCRIPTION	ITEM NUMBER	TYPE (*)	QTY	
21	Switch 230V	00310340138	W	1	
	Switch 115V	00510100808	W		
	SCREW DIN 7981 – Ø2.9X9.5		NSA	4	
22	Connecting box assy 230V	00510100809	S	1	
	Connecting box assy 115V	00510100810			
	SCREW DIN 7981 – Ø2.9X9.5		NSA	4	
	SCREW DIN 7981 – Ø2.9X18		NSA	4	
	SCREW DIN 7981 – Ø3.5X12		NSA	2	
	SCREW DIN 7981 – Ø2.9X16		NSA	2	
	SCREW DIN 85 – M5X15		NSA	4	
23	Electric motor 230V	00310335336	S	1	
	Electric motor 115V	00510100811			
24	Angularguide a cut assy	00310391473	S	1	
25	Material stop assy	00510100813	S	1	
	SCREW DIN 965 – M6X25				
26	Cable way support assy	00510100814	S	1	
	SCREW DIN 965 – M5X8		NSA		2
27	Cables support assy	00510100828	S	1	
28	Transport wheels(set of 2)	00510100758	W	1	
	SCREW DIN 603 - M6X40		NSA		2
	NUT DIN985 – M6		NSA		2
29	Complete frame assy	00310357997	S	1	
	SCREW DIN 85 – M6X38		NSA		4
	WASHER DIN125 – M6		NSA		4
	NUT DIN985 – M6		NSA		4
30	Water tray securing device assy(set of 4)	00510100832	S	1	
	SCREW DIN 933 – M6X35		NSA		1
	NUT DIN985 – M6		NSA		1
31	Head locking screw	00510109384	S	1	
	KNURLED NUT M6		NSA		1

(\*): S = Spare part, W = Wear part

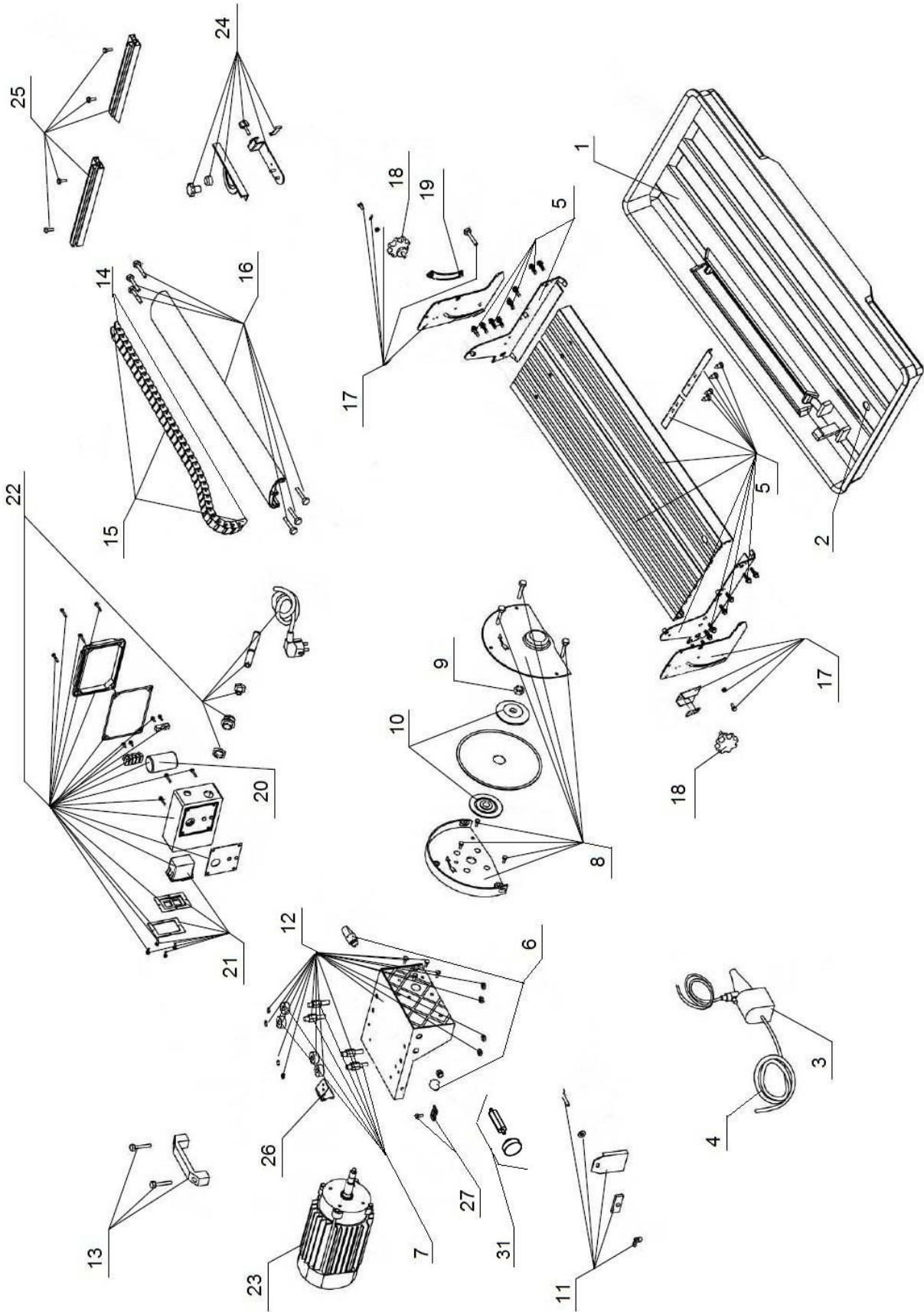
NSA = Not supplied alone / this component is a component standard which you can easily find at all the standard retailers of parts. All the standard components of assembly have a quality grade 8.8. We recommend to don't use a quality grade lower than 8.8.

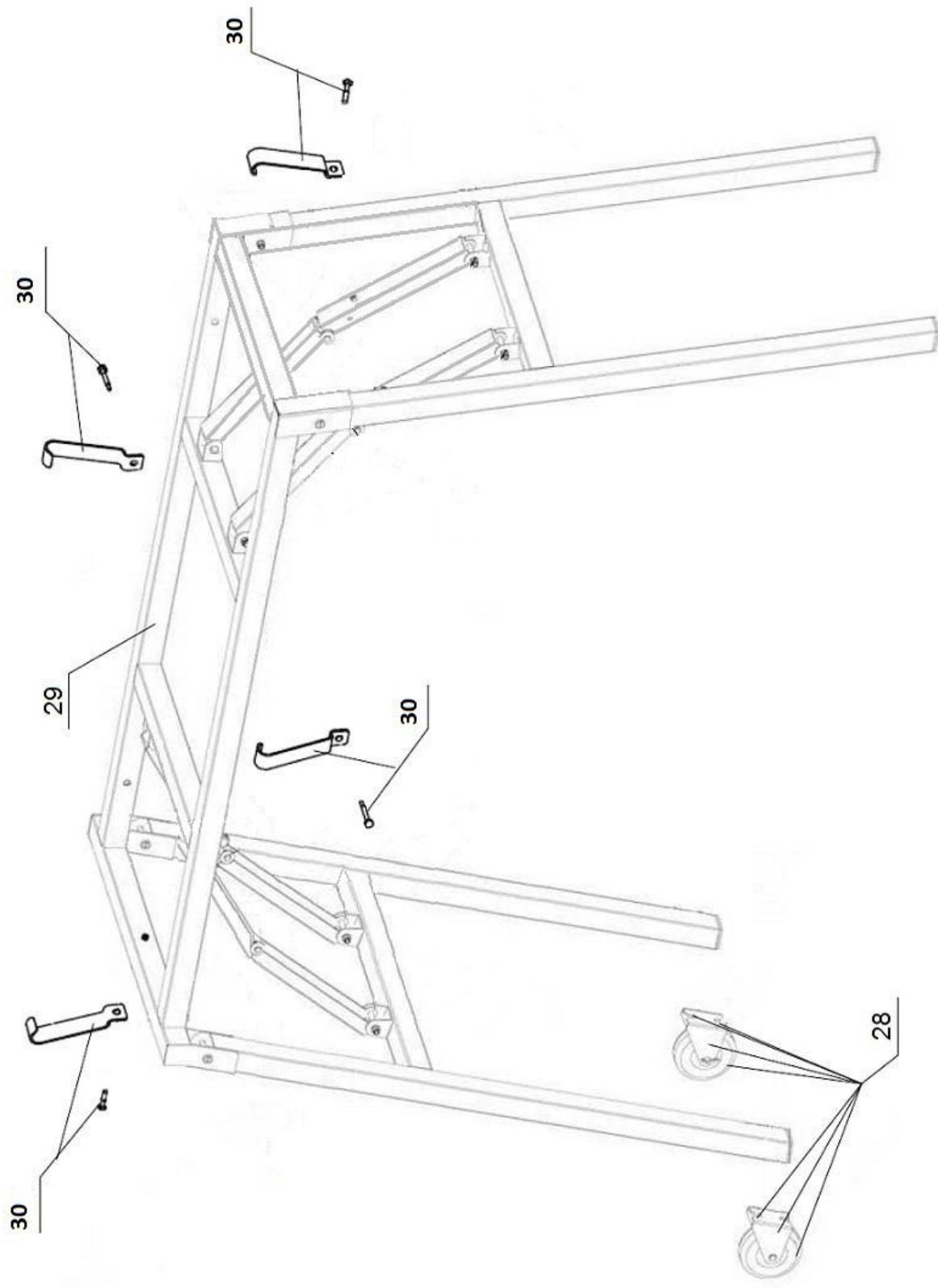
Wear parts are worn out through normal use of the machine. The use period depends a lot on the intensity of work of the machine.

Wear parts must be serviced, used and eventually changed following the indications of the manufacturer.

Any wear due to normal use of the machine will not be considered as a case of warranty. Genuine CLIPPER replacement parts should always be used.

# 2. EXPLODED VIEW









[www.construction.norton.eu](http://www.construction.norton.eu)

**Saint-Gobain Abrasives**

190, Bd. J. F. Kennedy  
L-4930 BASCHARAGE  
LUXEMBOURG

Tel: ++352 50401-1

Fax: ++352 501633

e-mail: [sales.nlx@saint-gobain.com](mailto:sales.nlx@saint-gobain.com)