

# DUST EXTRACTOR CV 340 D

USER MANUAL

Translated instruction manual



SAINT-GOBAIN







# CE Declaration of Conformity

The undersigned manufacturer:

**SAINT - GOBAIN ABRASIVES S.A.  
190 KENNEDY BD. J. F.  
L-4930 BASCHARAGE**

Declares that the following new equipment:

Vacuum cleaner:

***DUST EXTRACTOR CV 340 230V D***

Code: **70184632741**

***DUST EXTRACTOR CV 340 110V D***

Code: **70184633140**

complies with the provisions of the Guidelines:

- ***"Machinery" 2006/42/EC***
- ***"Electromagnetic compatibility" 2014/30/EU***
- ***"Low Voltage" 2014/35/EU***

And to the European standard:

- ***EN ISO 12100***
- ***EN 60204-1***
- ***EN 61000-6-3***

Valid for machines with a serial number from: 4503430198001

Where technical documents are kept:

Saint-Gobain Abrasives 190, Bd. J. F. Kennedy 4930 BASCHARAGE, LUXEMBOURG

This declaration of conformity becomes null and void if the product is processed or modified without our consent.

Bascharage, 24.08.2023.

François Chianese, authorised representative and responsible for the technical file.  
Bascharage, Luxembourg.



# CV 340 D USER MANUAL TABLE OF CONTENTS

<b><u>1</u></b>	<b><u>Introduction .....</u></b>	<b><u>6</u></b>
<b><u>2</u></b>	<b><u>Guarantee .....</u></b>	<b><u>6</u></b>
<b><u>3</u></b>	<b><u>Unauthorized Use .....</u></b>	<b><u>7</u></b>
<b><u>4</u></b>	<b><u>Machine data.....</u></b>	<b><u>8</u></b>
4.1	<i>Machine Description .....</i>	8
4.2	<i>Technical data .....</i>	9
4.3	<i>Machine insert .....</i>	10
4.4	<i>Test.....</i>	10
4.5	<i>Safety features.....</i>	10
<b><u>5</u></b>	<b><u>Performance Tolerances.....</u></b>	<b><u>11</u></b>
<b><u>6</u></b>	<b><u>Security Provisions .....</u></b>	<b><u>11</u></b>
<b><u>7</u></b>	<b><u>Installation .....</u></b>	<b><u>12</u></b>
7.1	<i>Delivery &amp; Handling.....</i>	12
7.2	<i>Electrical hook-up .....</i>	12
<b><u>8</u></b>	<b><u>Using the vacuum cleaner .....</u></b>	<b><u>13</u></b>
8.1	<i>Starting the vacuum cleaner.....</i>	13
8.2	<i>Manual tank emptying.....</i>	14
8.3	<i>Accessories .....</i>	15
8.4	<i>Filter Replacement .....</i>	15
<b><u>9</u></b>	<b><u>Maintenance.....</u></b>	<b><u>17</u></b>
9.1	<i>Before and after each use.....</i>	17
9.2	<i>After 200 hours of use.....</i>	17
<b><u>10</u></b>	<b><u>End of Product Life .....</u></b>	<b><u>17</u></b>
<b><u>11</u></b>	<b><u>Breakdowns – Cause and Repair .....</u></b>	<b><u>18</u></b>
11.1	<i>Fault Tracking.....</i>	18
11.2	<i>After-sales service.....</i>	18
11.3	<i>Parts .....</i>	19

## 1 Introduction

This operation and maintenance manual sets out the guidelines and procedures to be followed by operators of this equipment to ensure:

- Operator Safety
- Correct use of the machine
- Optimal performance

IT IS NECESSARY THAT AUTHORIZED PERSONNEL AND THE MACHINE OPERATOR HAVE READ AND UNDERSTOOD THE MANUAL BEFORE OPERATING THE MACHINE.

Because of the importance of this information, it is recommended to:

- Always keep this manual handy for easy reference
- Keep the manual in a safe place to avoid loss or damage
- Ask the manufacturer/supplier for a copy in case of loss or damage
- Provide this manual and the manufacturer's details with the machine if it is sold to a third party.

The manufacturer reserves the right to update its products and manuals and is under no obligation to provide updated versions thereof.

## 2 Guarantee

The vacuum cleaners manufactured by Saint-Gobain Norton Clipper have been fully inspected to ensure proper electrical, pneumatic and mechanical operation. The vacuums are covered by a 12-month warranty. All defective parts of the machine are covered by the warranty, but this does not include parts damaged during shipping, handling, or use, nor does it cover parts damaged by normal wear and tear.

Repairs can be carried out by an authorized service center or directly by Saint-Gobain Norton Clipper.

To request your warranty service, you must send a written request to the dealer or directly to the manufacturer, including manufacturing details which can be found on a plate inside your machine along with a copy of the invoice.

The warranty is valid under the following conditions:

- Improper use of the machine or total or partial non-compliance with the contents of this manual
- Any part of the vacuum cleaner is altered or altered in any way
- Incorrect electrical installation
- If the laws of the country of use are not complied with
- Inadequate maintenance
- The machine has not undergone routine maintenance as specified in this manual
- Use of spare parts that are not produced by Saint-Gobain Norton Clipper or that are not specifically indicated for the model used

### 3 Unauthorized Use

It is strictly forbidden to use the machine:

- With the air outlet partially or fully closed.
  - When used in narrow areas where there is no fresh air.
  - When not placed on a level floor.
  - When the filter is not installed.
  - When the cooling ducts are partially or completely blocked.
- 
- Never vacuum cigarette butts that have not been properly extinguished and/or any other flammable material
  - Never aspirate powders or liquids that are inherently explosive or incendiary or that may result in explosions.
  - Never work in environments where explosive gases and/or gases from toxic chemicals are present in the air.
  - Check the suitability of the cartridge filter before vacuuming toxic substances.
  - Unplug from the power outlet before accessing the machine's electrical components.
  - Do not modify the machine under any circumstances.
  - Do not operate the machine in a manner that does not meet the requirements of this manual.
  - It is forbidden to vacuum gases, vapours and/or corrosive liquids.
  - Do not leave any liquid or powder inside the container and possibly dry the filter before storage.

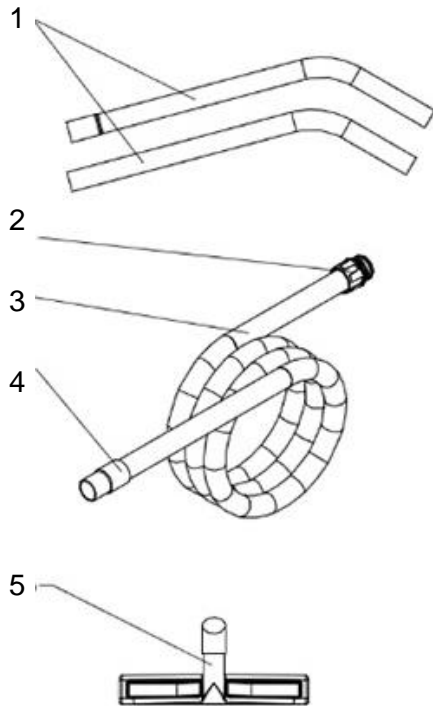
## 4 Machine data

### 4.1 Machine Description



1	Identification Badge
2	Suction head
3	On/off switch
4	Forced Filter Cleaning Button
5	Connecting Accessories
6	Wheels with brakes
7	Tank Release
8	Reservoir





1	Vacuum cleaner handle
2	Nozzle for vacuum cleaner or machine (x2)
3	Pipe Ø38 length 5m
4	Nozzle for vacuum cleaner handle
5	Brush

#### 4.2 Technical data

Model	<b>CV 340 230V D 70184632741</b>	<b>CV 340 110V D 70184633140</b>
Power	2200 W (2 motors)	1600 W (2 motors)
Voltage	230 V – 50 Hz	110 V – 60 Hz
Cleaning the filter	Automatic	
Primary Filter Filtration Class	HEPA	
Primary Filter Filtration Surface	0.5 m <sup>2</sup>	
Debit	340 m <sup>3</sup> /h	300 m <sup>3</sup> /h
Depression	230 mBar	200 mBar
Tank Diameter	400 mm	
Usable Capacity	20 l	
Size	580 x 540 x 850 mm	
Suction diameter	Ø 50 mm	
Weight	33 kg	
Sound Pressure Level	78 dB	

### **4.3 Machine insert**

Each Saint-Gobain Norton Clipper machine carries an identification plate with the essential details needed to contact the supplier/manufacturer for advice, suggestions, or aftermarket information.

The following details can be found on the plaque:

- Maker
- Model
- Serial Number
- Supply voltage
- Nominal installed power
- CE symbol (manufactured in accordance with the Machinery Directive 2006/42/EEC) and UKCA

### **4.4 Test**

All Saint-Gobain Norton Clipper machines are tested before packaging and delivery to ensure that each component is working properly. An accurate electrical safety test is performed in accordance with specific electrical safety standards relating to:

- Grounding Continuity Test
- Insulation resistance test between each phase and the ground
- Dielectric test
- Dispersed Current Measurement
- Power and current input measurement (acceptable difference of +/-10% of nominal value)
- Measurement of maximum vacuum and exhaust air values (tolerance of +/-15% based on environmental temperature and humidity values)
- Measurement of maximum air absorption

### **4.5 Safety features**

The vacuum cleaner has been manufactured in compliance with all legal standards for operator safety.

All metal components are grounded to eliminate electrostatic discharge, including the flexible suction hose which is properly grounded. In this respect, the choice of a suitable flexible suction hose eliminates this risk along the length of the hose from the area of use to the vacuum cleaner.

The brakes mounted on the rear swivel castors allow the machine to be safely locked in its place of use.

**BEFORE USING THE MACHINE, CHECK THAT THE MACHINE HAS NOT SUFFERED ANY SHOCK OR DAMAGE DURING TRANSPORT THAT WILL AFFECT THE OPERATION OF THE ABOVE DEVICES**

## 5 Performance Tolerances

The performance of the turbine can vary by 15% depending on the temperature and humidity of the air.

The safety valves are calibrated according to the amperage of the turbine.

## 6 Security Provisions

- Read the instructions in this manual carefully before starting, using, maintaining, or operating the vacuum cleaner
- Check the vacuum cleaner for damage in any way
- Never turn on the machine if it is faulty or if you suspect it is defective
- Check the switch for wear or damage
- Do not approach the suction of the machine with loose or broken clothing that could easily be sucked into the machine
- Verify that filters are present and effective
- Ensure that filters are installed correctly and in perfect working order, always complying with applicable workplace regulations
- Do not carry out repairs without the manufacturer's permission
- Never use gasoline, solvents or other flammable liquids for cleaning; Only suitable detergents should be used for cleaning
- Never move the machine by pulling on the power cable or hose
- Never direct the opening of the machine or flexible tube towards people or animals
- Protecting the machine from the rain
- Verify that the machine is connected to a power source with the voltage indicated on the machine insert
- Make sure the power cable is free of wear and damage. Replace the cable with one of the same type as the original: Unapproved or inferior cables can overheat and cause serious injury to the user
- Make sure the machine is connected to a suitable power source in perfect working order
- Repairs should only be performed by authorized personnel and only when the machine is disconnected from the power source
- Never allow unauthorized personnel to operate the machine
- Make sure all safety devices are in good working order before turning on the machine
- Never cover the vacuum cleaner during use

## **7 Installation**

### **7.1 *Delivery & Handling***

All machines are thoroughly tested and inspected by Saint-Gobain Norton Clipper prior to delivery. The machine is transported inside a protective box and is securely attached to a pallet. If any part of the machine is not intact or has been damaged during transport, file an immediate complaint with the carrier. Parts that have been damaged or broken due to improper transportation or handling of the machine will not be recognized by the manufacturer's warranty. The machine must be lifted and moved using a forklift in accordance with the relevant safety regulations in force at the workplace

### **7.2 *Electrical hook-up***

Connect the industrial socket to the power cable and plug it into an outlet that has the same voltage and is protected by a suitable circuit breaker.

## 8 Using the vacuum cleaner

### 8.1 Starting the vacuum cleaner



1: On-off switch



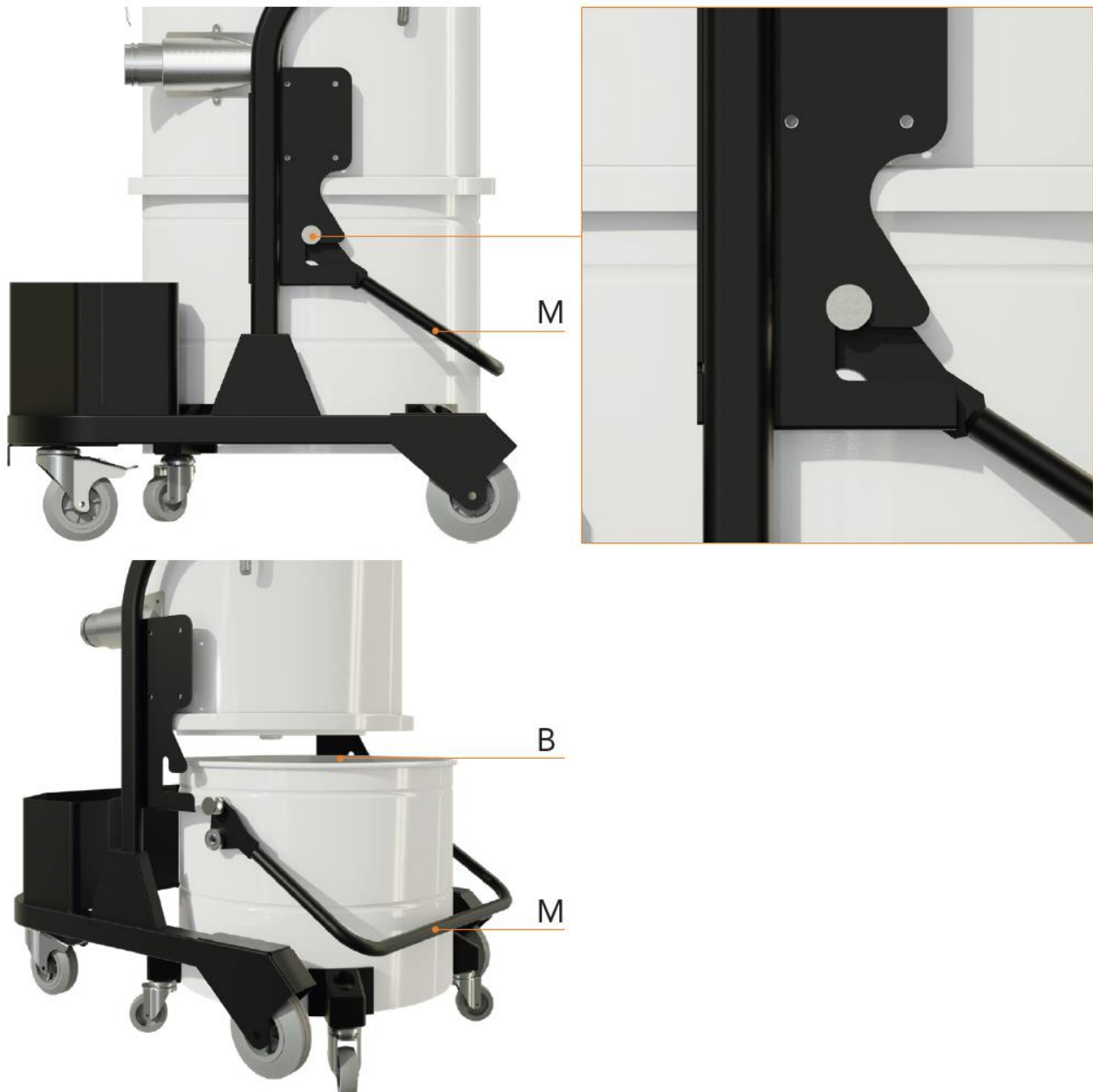
- I – Start the engine
- O – Turn off the engine

2: Cleaning the filter



Press to force filter cleaning

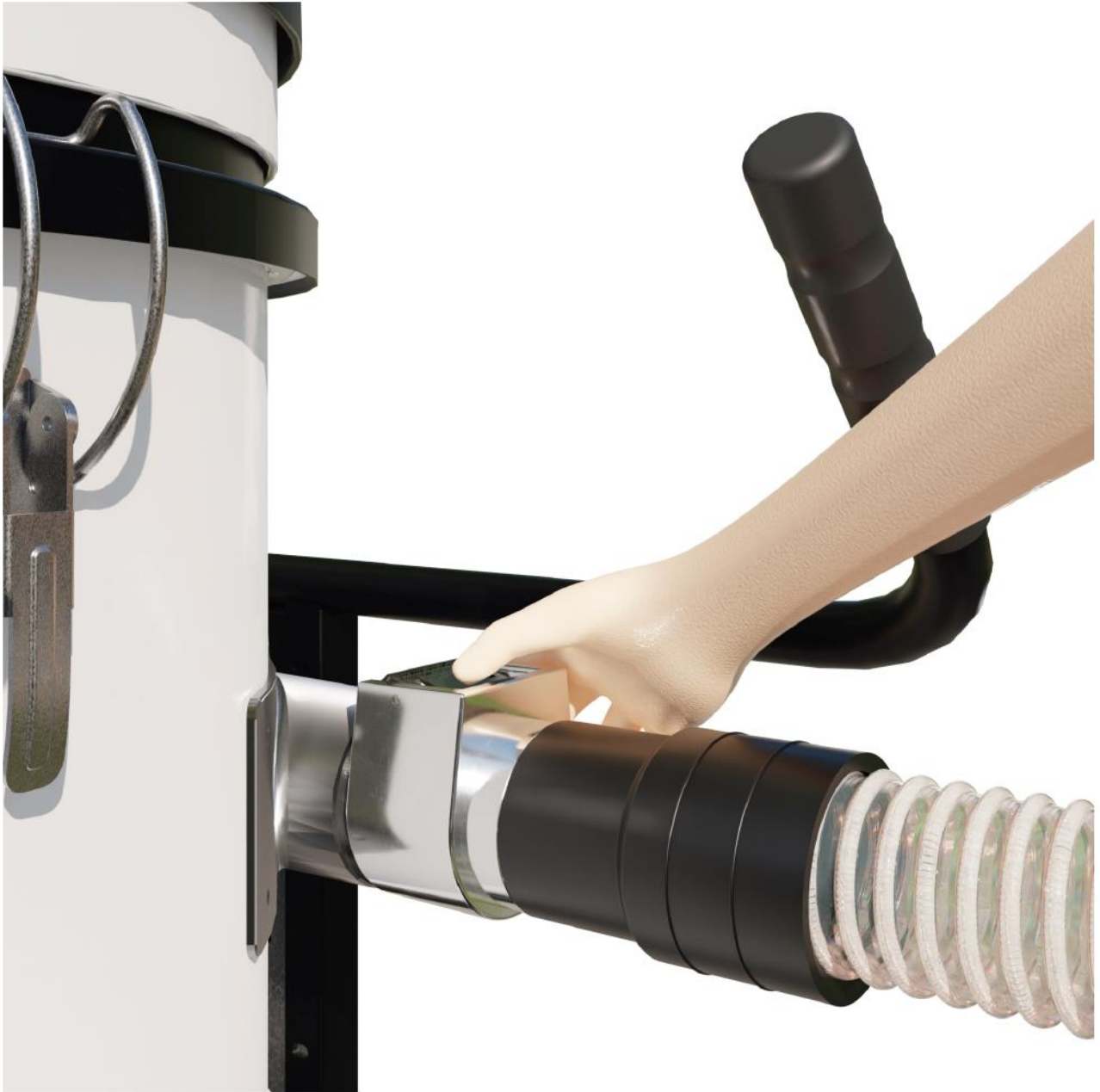
## 8.2 Manual tank emptying



- Push the handle (M) up and move the tank
- Emptying the tank
- Insert the tank into the corresponding notch and replace it by pressing the handle (M)

### **8.3 Accessories**

Connect one end of the hose to the desired accessory and the other end to the quick coupling nozzle mounted on the filter chamber



### **8.4 Filter Replacement**



- Unplug the vacuum.
- Disconnect and lift the head.
- Unscrew the wing nut and remove the spring and washer
- Remove the cylindrical steel guard from the filter (unscrew the edge screws)
- Replace the filter with a filter suitable for the vacuum cleaner you are using, check its integrity.
- Reassemble the cylindrical guard
- Install the new filter according to the label on the bottom of the filter
- Reconnect the suction head.



## 9 Maintenance

Maintenance and cleaning operations should ALWAYS be performed when the vacuum cleaner is turned off and disconnected from the power source. No special measures need to be taken for the maintenance, cleaning or lubrication of the suction unit. However, it is important to remember that proper use and maintenance are essential to ensure the safety and efficiency of the vacuum.

To ensure smooth and consistent operation and to prevent the warranty from becoming void, always use genuine Saint-Genuine Gobain Norton Clipper Spare Parts when repairs are needed.

### 9.1 *Before and after each use*

- Visually check that the suction hose has not been damaged (it must not be damaged, torn, crushed)
- Check that electrical switches are in good working order and are not damaged in any way
- Check the level of waste inside the tank
- Check that the motor head is correctly positioned on the filter chamber

### 9.2 *After 200 hours of use*

- Check the condition of the primary filter: it should not have any tears, holes or other damage: in this case, replace it
- Check that the identification plate is legible and that it is not damaged: contact the manufacturer for a replacement if necessary

## 10 End of Product Life

Dispose of the machine and all accessories in accordance with the country's legislation.

To avoid harming the environment or your or others' health, it is recommended that you separate the machine from other waste and, if necessary, recycle it properly.

## 11 Breakdowns – Cause and Repair

### 11.1 Fault Tracking

PROBLEM	CAUSE	MEDICINE
Engines won't start.	No electrical voltage.	Check the cables, plugs, and plug.
The suction capacity slowly decreases.	The filter, nozzle, suction hose or suction hose may be blocked.	Check and clean accessories. Clean the filter.
Dust comes out during vacuuming.	The filter has not been properly secured or is defective.	Check if the filter is installed correctly; replace it if necessary.

### 11.2 After-sales service

When ordering spare parts, always indicate:

- Serial number (seven digits)
- Part Number
- Exact description
- Number of pieces desired
- Exact address
- Please avoid statements such as "as soon as possible" or "urgent" but clearly indicate the desired shipping method: "express", "by air", etc.

If you do not specify the desired shipping method, we will send the parts by the means considered the most reasonable, without necessarily being the fastest.

With accurate instructions, you will avoid problems and shipping errors.

If there is any uncertainty, please send us the defective part.

**In the event that the parts are covered by the warranty, the shipment of the defective part is mandatory.**

Order engine parts directly from the manufacturer or from a representative – you'll save time and money!

This machine was manufactured by Saint-Gobain Abrasives S.A.:

190 J. F. Kennedy Blvd.  
L-4930 BASCHARAGE  
Grand Duchy of Luxembourg  
Tel.: 00352 50 401 1  
Fax. : 00352 50 16 63  
<http://www.construction.norton.eu>  
E-mail: [sales.nlx@saint-gobain.com](mailto:sales.nlx@saint-gobain.com)

### 11.3 Parts

To view spare parts lists, please visit the Norton Clipper Aftermarket website at the following address:

<https://spareparts.nortonabrasives.com>

For quick access, you can also use the QR Code below using your mobile phone:



This electronic catalog provides you with exploded parts and spare parts lists for various Norton Clipper machines so that you can find the part numbers you need.

You can get technical support, spare parts and diamond blades from our local distributors.

SAINT-GOBAIN ABRASIVES  
INDUSTRIEWEG 21  
9420 ERPE-MERE  
BELGIUM  
TEL: +32(0) 2 267 21 00

SAINT-GOBAIN CONSTRUCTION  
PRODUCTS CZ A.S  
DIVIZE ABRASIVES  
SMRČKOVA 2485/4  
180 00 PRAHA 8  
TEL: +420 255 719 326 FAX: +420 255 719 321

SAINT-GOBAIN ABRASIVES A/S  
DYBENDALSVÆNGET 2,  
DK-2630 TAASTRUP  
DENMARK  
TEL: +45 4675 5244

PO BOX 643706  
FORTUNE TOWER OFFICE 2106  
JLT BLOCK C  
(NEXT TO METRO STATION)  
JUMEIRA LAKE TOWER, DUBAI  
UNITED ARAB EMIRATES  
TEL: +971 4 431 5154  
FAX: +971 4 431 5434

SAINT-GOBAIN ABRASIVES  
RUE DE L'AMBASSADEUR - B.P.8  
78 702 CONFLANS CEDEX  
FRANCE  
TEL: +33 (0)1 34 90 40 00  
FAX: +33 (0)1 39 19 89 56

SAINT-GOBAIN ABRASIVES GMBH  
BIRKENSTRASSE 45-49  
D-50389 WESSELING  
GERMANY  
TEL: +49 (0) 2236 703-0  
FAX: +49 (0) 2236 703-730

SAINT-GOBAIN KFT ABRASIVES.  
1225 BUDAPEST  
BÁNYALÉG U. 60/B.  
HUNGARY  
TEL: +36 1 371 22 50  
FAX: +36 1 371 22 55

SAINT-GOBAIN ABRASIVI S.P.A  
VIA PER CESANO BOSCONI 4  
I-20094 CORSICO MILANO  
ITALY  
TEL: +39 02 44 851  
FAX: +39 02 44 78 266

SAINT-GOBAIN ABRASIVES S.A.  
190 J.F. KENNEDY STREET  
L-4930 BASCHARAGE  
GRAND DUCHY OF LUXEMBOURG  
TEL: +352 50 401 1  
FAX: +331 83 717 792  
NO. VERT (FRANCE): 0800 906 903

SAINT-GOBAIN ABRASIVES, S.A.  
2 ALLÉE DES FIG TREES  
AIN SEBAË - CASABLANCA  
MOROCCO  
TEL: +212 5 22 66 57 31  
FAX: +212 5 22 35 09 65

SAINT-GOBAIN ABRASIVES BV  
GROENLOSEWEG 28  
7151 HW EIBERGEN  
P.O. BOX 10  
7150 AA EIBERGEN  
THE NETHERLANDS  
TEL: +31 545 466466  
FAX: +31 545 474605

SAINT-GOBAIN ABRASIVES AS  
KARIHAUGVEIEN, 89  
0186 OSLO  
NORWAY  
TEL: +47 63 87 06 00  
FAX: +47 63 87 06 01

SAINT-GOBAIN HPM POLSKA SP. Z O.O.  
UL. NORTON 1, 62-600 KOŁO  
62-600 KOŁO  
POLAND  
TEL: +48 63 26 17 100  
FAX: +48 63 27 20 401

SAINT-GOBAIN ABRASIVOS, L. DA  
ZONA INDUSTRIAL DA MAIA I-SECTOR  
VIII, NO. 122  
APARTADO 6050  
4476 - 908 MAIA  
PORTUGAL  
TEL: +351 229 437 940  
FAX: +351 229 437 949

SAINT-GOBAIN GLASS  
BUSINESS UNIT ABRASIVI  
PUNCT DE LUCRU : LOC. VETIS, JUD.  
SATU MARE 447355  
STR. CAREIULUI 11  
INDUSTRIAL PARK RENOVATIO  
ROMANIA  
TEL: +40 261 839 709  
FAX: +40 261 839 710

SG HPM RUS  
58, F. ENGELS STR.  
STROENIE 2  
105082 MOSCOW  
RUSSIA  
TEL: +74 955 408 355  
FAX: +74 959 373 224

SAINT-GOBAIN ABRASIVES (PTY) LTD  
2 MONTEER ROAD  
ISANDO 1600  
P.O. BOX 67  
SOUTH AFRICA  
TEL: +27 11 961 2000  
FAX: +27 11 961 2184/5

SAINT-GOBAIN ABRASIVOS, S.A.  
CTRA. FROM GIPUZKOA, KM. 7,5  
E-31195 BERRIOPLANO (NAVARRA)  
SPAIN  
TEL: +34 948 306 000  
FAX: +34 948 306 042

SAINT GOBAIN ABRASIVES AB  
GÅRDSFOGDEVÄGEN 18A  
168 66 BROMMA • SVERIGE  
SWEDEN  
TEL: +46 8 580 881 00  
FAX: +46 8 580 881 30

SAINT-GOBAIN INOVATIF MALZEMELER  
VE ASINDIRICI SAN. TWITCH. ACE.  
ALTAYÇEŞME MAH. ÇAMLI SOK. NO:21  
ESAS OFIS PARK KAT:9 34843  
MALTEPE, İSTANBUL • TURKEY  
TEL: 0090-216-217 12 50  
FAX: 0090-216-442 40 74

SAINT-GOBAIN ABRASIVES LTD.  
UNICORN HOUSE UNIT 1, AMISON CLOSE  
REDHILL BUSINESS PARK  
STAFFORD ST161WB  
UNITED KINGDOM  
TEL: +44 1785 279 553  
FAX: +44 1785 213 487



Saint-Gobain Abrasifs  
190 Rue J.F. Kennedy  
L-4930 Bascharage  
Grand Duché de Luxembourg  
Tel: +352 50 4011  
Fax: +331 83 717 792  
no. vert (France) 0800 906 903

[www.nortonabrasives.com/fr-fr](http://www.nortonabrasives.com/fr-fr)