

Jumbo 900/1000 E 400V

OPERATING INSTRUCTIONS

Translation of the original instructions





The undersigned manufacturer:

SAINT - GOBAIN ABRASIVES S.A.
190, BD J.F. KENNEDY
L- 4930 BASCHARAGE

Declares that this product:

Masonry Saws: **JUMBO 900 400V**
JUMBO 1000 400V

Code: **70184613939**
70184621669

is in conformity with the following Directives:

- **"MACHINES" 2006/42/CE**
- **"LOW VOLTAGE" 2006/95/CE**
- **"ELECTROMAGNETIC COMPATIBILITY" 2004/108/CE**
- **"NOISE" 2000/14/CE**

And European standard:

- **EN 12418 – Masonry and stone cutting-off machines – Safety**

Valid for machines as of serial number:

130400000

Storage site for the technical documents:

Saint-Gobain Abrasives 190, Bd. J. F. Kennedy 4930 BASCHARAGE, LUXEMBOURG

This declaration of conformity loses its validity when the product is converted or modified without agreement.

Bascharage, Luxembourg, 01.04.2013.

Olivier Plenert, executive officer.

JUMBO 900/1000

OPERATING INSTRUCTIONS

<u>1</u>	<u>BASIC SAFETY INSTRUCTIONS</u>	<u>5</u>
1.1	<i>Symbols</i>	5
1.2	<i>Machine plate</i>	6
1.3	<i>Safety instructions for particular operating phases</i>	6
<u>2</u>	<u>MACHINE DESCRIPTION</u>	<u>8</u>
2.1	<i>Short description</i>	8
2.2	<i>Purpose of use</i>	8
2.3	<i>Layout</i>	8
2.4	<i>Technical Data</i>	10
2.5	<i>Statement regarding the vibration emission</i>	11
2.6	<i>Statement regarding noise emission</i>	12
<u>3</u>	<u>ASSEMBLY AND COMMISSIONING</u>	<u>13</u>
3.1	<i>Tool assembly</i>	13
3.2	<i>Electrical connections</i>	13
3.3	<i>Starting the machine</i>	13
3.4	<i>Water cooling system</i>	14
<u>4</u>	<u>TRANSPORT AND STORING</u>	<u>15</u>
4.1	<i>Securing for transport</i>	15
4.2	<i>Transport procedure</i>	15
4.3	<i>Long period of inactivity</i>	15
<u>5</u>	<u>OPERATING THE MACHINE</u>	<u>16</u>
5.1	<i>Site of work</i>	16
5.2	<i>Cutting methods</i>	16
<u>6</u>	<u>MAINTENANCE AND SERVICING</u>	<u>18</u>
<u>7</u>	<u>FAULTS: CAUSES AND CURES</u>	<u>19</u>
7.1	<i>Fault-finding procedures</i>	19
7.2	<i>Trouble-shooting guide</i>	19
7.3	<i>Circuit diagram</i>	20
7.4	<i>Customer service</i>	21

1 BASIC SAFETY INSTRUCTIONS

The Jumbo 900/1000 is exclusively designed for the cutting of construction products mainly on construction sites.

Uses other than the manufacturer's instructions shall be considered as contravening the regulations. The manufacturer shall not be held responsible for any resulting damage. Any risk shall be borne entirely by the user. Observing the operating instructions and compliance with inspection and servicing requirements shall also be considered as included under use in accordance with the regulations.

1.1 Symbols

Important warnings and pieces of advice are indicated on the machine using symbols. The following symbols are used on the machine:



Read operator's instructions



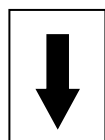
Ear protection must be worn



Hand protection must be worn



Eye protection shall be worn



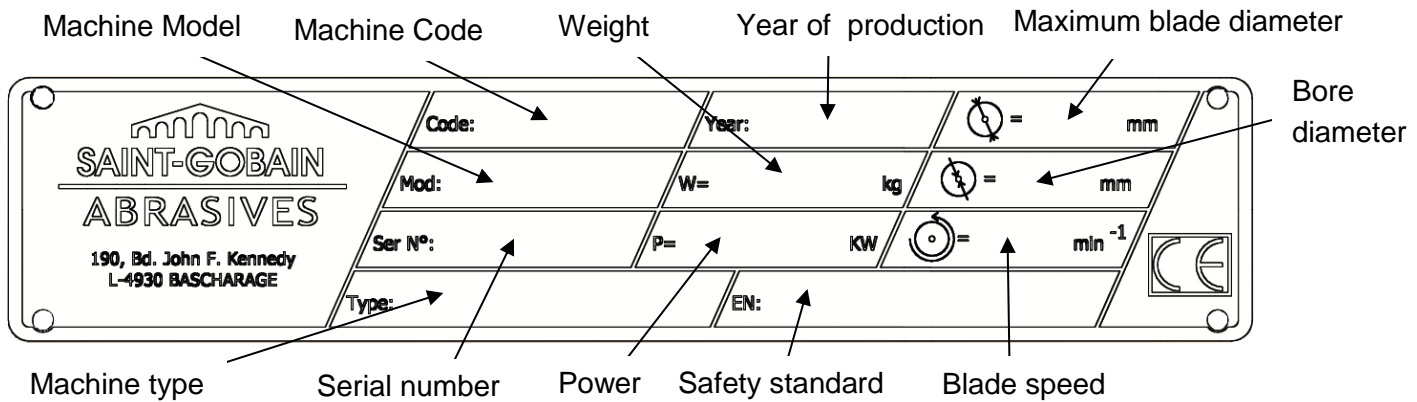
Rotation direction of the blade



Danger: risk of cutting

1.2 Machine plate

Important data can be found on the following plate located on the machine:



1.3 Safety instructions for particular operating phases

Before commencing work

- Before commencing work, make yourself familiar with the working environment at the place of use. The working environment includes: obstacles in the area of work and manoeuvre, the firmness of the floor, necessary protection at the site relating to public thoroughfares and the availability of help in the event of accidents.
- Site the machine on an even, firm and stable base!
- During work, apply the brakes located on two of the four wheels.
- Check for correct mounting of the blade regularly.
- Immediately remove damaged or badly worn blades, as they endanger the operator whilst rotating.
- The material to be cut must be held securely in place on the cutting table allowing no movement during cutting operation.
- Always cut with the blade guard in position.
- Only fit NORTON diamond blades to the machine! The use of other tools can damage the machine!
- Read the blades' specifications carefully to choose the correct tool for your application.
- Attention is drawn to the use of BS2092 safety goggles in conformity with specified Processes No.8 of the Protection of Eyes Regulation 1974, Regulation 2(2) Part 1. Also use other safety equipment as mentioned in point 1.1.

Electrical powered machine

- Always turn off the machine and separate it from the main source of electricity before any work on the machine is done.
- You can lock the ON-OFF-switch using a padlock.



- Make all electrical connections securely to eliminate contact of live wires with spray water or dampness
- It is **IMPERATIVE** that you earth the machine properly.
- In the event of the machine breaking down or stopping for no apparent reason, switch off the main electricity supply. Only a qualified electrician is allowed to investigate the trouble and remedy the fault.

2 MACHINE DESCRIPTION

Any modification, which could lead to a change in the original characteristics of the machine, may be done only by Saint-Gobain Abrasives who shall confirm that the machine is still in conformity with the safety regulations.

2.1 Short description

The JUMBO 900/1000 block saw is designed for durability and high performance for onsite wet cutting operations of a wide range of masonry, refractory and natural stone products.

As with all other NORTON products, the operator will immediately appreciate the attention given to detail and quality of materials used in construction. The machine and its component parts are assembled to high standards assuring long life and minimum maintenance.

2.2 Purpose of use

The machine is designed for cutting a large range of building and refractory materials. **It is not designed for cutting wood or metals.**

2.3 Layout



Frame (1)

Jig-welded, reinforced and all-steel construction ensures perfect rigidity. The frame includes a large capacity water tray with drain plug. Frame has built-in lift brackets (8) for easy transportation and is mounted on 4 wheels, 2 of which have a locking device to secure the machine during cutting.

Cutting head (2)

Jig-welded steel console equipped with pivot bar fixed to frame upright and housed in heavy-duty bearings. Console supports the electric motor, the belt drive with its guard and the blade shaft assembly. Bearings are machined for perfect fit and alignment. Precision-machined blade shaft held in ball bearings and is driven by three heavy-duty V-section drive belts. The blade shaft assembly is completely enclosed in a cutting head console, accessible for inspection by way of a removable plate. The removable blade flange is tightened by means of a hexagonal nut. The spring-loaded cutting head ensures smooth lowering of the cutting head. A depth-locking device fixed to cutting head and frame enables the operator to set the cutting head to desired or to maximum cutting depth. The movement of the head is ensured by a handwheel (6).

Water cooling system (3)

The coolant system comprises:

- A powerful, submersible electric water pump protected by a thermal protection
- Plastic suction pipe delivering the water from the water pan to the cutting head
- A large capacity water pan (pan is galvanised) supplied with drain plug
- The water supply system is mounted on the blade guard.
- Two water nozzles located on the blade guard ensure adequate flow of water to both sides of the cutting blade
- Water curtains, fixed to frame and blade guard to restrict water spray and to minimise water loss

Attention: The water pump must never run without water.

Blade guard (4)

Jig-welded steel construction with 900mm-diameter blade capacity for the Jumbo900 and 1000mm-diameter blade capacity for the Jumbo1000, which offers maximum operator protection and increased visibility of the work piece. Incorporated in the blade guard is an outer metal cover articulated on 2 hinges., which permits easy access to shaft for inspection and blade replacement when motor is switched off, while fully protecting the blade when in operation.

Electrical Motor(5)

Leroy - Somer motor with 7, 5kW. Low voltage trigger (NVR) prevents the motor to restart for example after a power cut. The electric motor has overload protection. Thermal overload tripping can occur for two reasons:

- a. tripping under light load
 - If connection is incorrect
 - If a phase is not under load

Check the connections and the phase voltage before restarting the machine.

- b. tripping under heavy load
 - If motor has been overloaded

The ON-OFF switch also serves as emergency stop.

Cutting table (7)

Large, heavy-duty and galvanised table fitted with water flow-control vents. The table is equipped with a backstop and with a guide-a-cut device.

Slide front protection (9)

The slide front retrieves the projection water in front of the machine, and protects the blade zone that exceed of the table when we cut.

2.4 Technical Data

Electric motor	7,5 kW 3-Phase 50Hz 1490 min ⁻¹
Voltage	<ul style="list-style-type: none"> • 400V 3 phases
Electric motor protection	IP54
Switch	Star-triangle switch with thermal overload protection, no volt release and emergency stop
Max. blade diameter	<ul style="list-style-type: none"> • 900 mm (Jumbo 900) • 1000 mm (jumbo 1000)
Bore	60 mm
Cutting length mm	720 mm
Cutting depth mm	<ul style="list-style-type: none"> • 370 mm (Jumbo 900) • 420 mm (Jumbo 1000)
Table dimension	720x800 mm
Flange diameter	160 mm
Blade shaft speed	928 min ⁻¹
Machine dimensions	2310x1080x1700 mm
Weight	<ul style="list-style-type: none"> • 360kg (900) • 370kg (1000)
Max. operating weight	<ul style="list-style-type: none"> • 420kg (900) • 430kg (1000)
Sound pressure level	86 dB (A) (following ISO EN 11201)
Sound energy level	100 dB (A) (following ISO EN 3744)

2.5 Statement regarding the vibration emission

Declared value of vibration emission following **EN 12096**.

Machine Model / code	Measured value of vibration emission at m/s ²	Uncertainty K m/s ²	Tool used Model / code
JUMBO 900 E 400V 70184613939	<2.5	0.5	Norton Pro BS - 12
JUMBO 1000 E 400V 70184621669			

- The vibration value is lower and does not exceed 2.5 m/s².
- Values determined using the procedure described in the standard **EN 12418**.
- The measurements are made with new machines. Actual values may vary with site conditions, in terms of:
 - Materials worked
 - Wear Machine
 - Lack of maintenance
 - Inappropriate tool for application
 - Tool in poor condition
 - Unskilled operator
 - Etc...
- The exposure time to vibration is based on the performance of work (related to the adequacy Machine / Tool / worked material / operator)
- When evaluating risks due to hand-arm vibration, you need to take into account effective usage at rated power of machine during a full day of work; quite often you will realise that effective utilisation time represents around 50% of overall duration of work. You have to consider, of course, breaks, water feeding, preparation of work, time to move the machine, disk mounting...

2.6 Statement regarding noise emission

Declared value of noise emission following **EN ISO 11201** and **NF EN ISO 3744**.

Machine Model / code	Sound Pressure level L_{Peq} EN ISO 11201	Uncertainty K (Sound Pressure level L_{Peq} EN ISO 11201)	Sound power level L_{Weq} NF EN ISO 3744	Uncertainty K (Sound power level L_{Weq} NF EN ISO 3744)
JUMBO 900 E 400V 70184613939 JUMBO 1000 E 400V 70184621669	86 dB(A)	2.5 dB(A)	100 dB(A)	4 dB(A)

- Values determined using the procedure described in the standard **EN 12418**.
- The measurements are made with new machines. Actual values may vary with site conditions, in terms of:
 - Wear Machine
 - Lack of maintenance
 - Inappropriate tool for application
 - Tool in poor condition
 - Unskilled operator
 - Etc...
- Measured values relate to an operator in normal use, as described in the manual position.

3 ASSEMBLY AND COMMISSIONING

The machine is delivered fully equipped and assembled and is ready for operation after connection to the appropriate power supply.

3.1 *Tool assembly*

Use only NORTON blades with a maximum diameter of 900 mm on the Jumbo 900 and 1000 mm on the Jumbo 1000.

All tools used must be selected with regard to their maximum permitted cutting speed for the machine's maximum permitted rotation speed.

Before mounting a new blade into the machine, switch off the machine and isolate it from the main source of electricity.

To mount a new blade, follow these steps:

- Disconnect water hoses from the blade guard.
- Open the blade guard.
- Loosen the hexagonal nut on the blade shaft while holding the shaft (with the two 36mm spanners supplied with the machine), which holds the removable outer flange.
- Remove the outer flange.
- Clean the flanges and blade shaft and inspect for wear.
- Mount the blade on arbour ensuring that direction of rotation is correct. Wrong direction of rotation blunts the blade quickly.
- Replace outer blade flange.
- Tighten hexagonal nut while holding the shaft with spanners supplied for this purpose.
- Close the blade guard cover and reconnect water hoses.

ATTENTION: The blade bore must correspond exactly to the diameter of the blade shaft. Cracked or damaged bore is dangerous for the operator and for the machine.

3.2 *Electrical connections*

Electrical connections

Check that,

- The voltage/phase supply corresponds to the information indicated on the motor plate.
- Available power supply must have ground connection in conformity with safety regulations.
- The connecting cables should have at least a 2.5mm²-section per phase.

3.3 *Starting the machine*

Machine 400V

Put the ON-OFF-Switch at ON. Then put the Star-Triangle-Switch on Y. The water pump begins to work. Wait until the blade reaches its maximum rotational speed, and then turn the Star-Triangle-switch on Δ .

Direction of rotation

The direction of rotation is indicated on the blade guard. If the direction of rotation does not correspond to the direction shown by the arrow, then reverse the motor polarity by turning the phase inverter inside the male plug with a screwdriver.

Emergency Stop (One-voltage 400V Motor)

To restart the machine after an emergency stop, turn the Star-Triangle-Switch on "0". Then turn the ON-OFF-Switch to ON.

3.4 Water cooling system

- Fill the water pan with clean water to approximately 2,5cm from top (ensure that bottom of pump is fully immersed in water).
- Ensure that water is flowing freely in the circuit and is delivered adequately to both sides of the blade
- If the water supply is insufficient, this may result in premature failure of the diamond blade. That is why we must avoid pipes and nozzles are clogged.
- Open the slide front protection. The slide front protect the blade exceeding of the table when we cut.
- Do not run the water pump without water. Always make sure that there is enough water in the pan and refill if necessary.
- The machines are equipped with a thermal protection to avoid to overload the. In case this protection trips, shut the machine down, and clean the water pump carefully before restarting the machine.
- In case of frost, empty the water cooling system.

4 TRANSPORT AND STORING

Take the following measures in order to transport the Jumbo 900/1000 securely.

4.1 *Securing for transport*

Before transporting or lifting the machine, always remove the blade and empty the water pan. Secure the head with the locking hook and handle. Close and lock the slide front protection

4.2 *Transport procedure*

The machine can be moved on a flat surface using its wheels.

The machine can be moved with a forklift, use the specific support that there is under the frame for put the forks

Only use the lift brackets to lift the machine, as other parts of the machine are not designed for this purpose.

4.3 *Long period of inactivity*

If the machine is not going to be used for a long period, please take the following measures:

- Completely clean the machine
- Loosen the drive belts
- Empty the water system
- Take the water pump out of the slurry and clean it thoroughly.

The storage site must be clean, dry and at a constant temperature.

5 OPERATING THE MACHINE

5.1 Site of work

5.1.1 Siting the machine

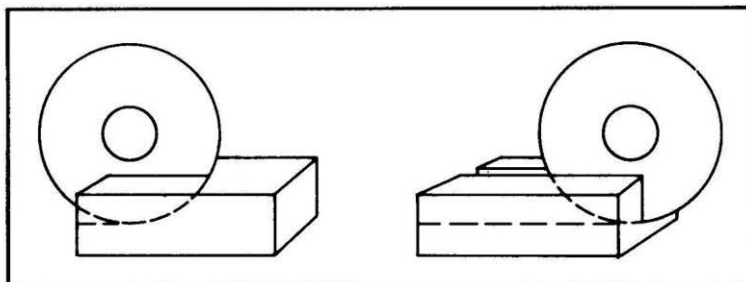
- Remove from the site anything, which might hinder the working procedure!
- Make sure the site is sufficiently well lit!
- Observe manufacturer's conditions for connecting to power supplies!
- Place electric cables in such a way that damage by the device is excluded!
- Make sure you have a continual adequate view of the working area so you can intervene in the working process at any time on the switch if there is a danger.
- Keep other staff out of the area, so you can work securely. Mark out the working area.

5.1.2 Space required for operation and maintenance

Leave 2 m in front of the machine and 1, 5 m around it for usage and maintenance of the Jumbo 900/1000.

5.2 Cutting methods

To use the machine correctly, you must be on the side of the machine with one hand on the handwheel, and the other ready to stop the machine in case of emergency. Always keep your hands away from the moving blade.



- Lower the cutting head to the desired cutting depth (in “through cutting”, lower cutting head until blade periphery reaches max. 3-5mm under the surface of the cutting table) by means of the handle on the blade guard and the scale over the head.
- Fix position by tightening the clamping device.
- Put material on cutting table.
- Turn the handwheel slowly and without undue pressure towards the rotating blade and cut the material.
- Open the slide front protection. The slide front protect the blade exceeding of the table when we cut.
- Start the machine.
- When your cut is finished, turn the handwheel so that the blade is completely out of the material before stopping the machine.
- If the full depth of cut requires excessive pressure (on very dense material e.g.) make 2 or 3 shallow cuts.

5.2.1 General advice for the cutting

- Material weighing up to 100 kg and having dimensions smaller than 720x800x370mm can be cut with the Jumbo 900/1000.
- Before commencing work make sure the diamond blade is firmly seated!
- Select the right diamond blade as recommended by the manufacturer depending on the material to be worked, the working procedure (wet cut) to be carried out and the required efficiency.
- Open the slide front protection. The slide front protect the blade exceeding of the table when we cut.
- Make your sure that the water is flowing correctly. If the water supply is insufficient, this may result in premature failure of the diamond blade. That is why we must avoid pipes and nozzles are clogged.
- When cutting work is finished, stop the machine so you can remove the cut pieces from the cutting table without getting wet.
- If the thermal protection trips, wait a few minutes to allow the motor to cool down before restarting the machine.

6 MAINTENANCE AND SERVICING

To ensure a long-term quality from the cutting with the Jumbo 900/1000, please follow the maintenance plan below:

		Begin of the day	During the changing of the tool	End of the day	Every week	After a fault	After a damage
Whole machine	Visual control (general aspect, water tightness)						
	Clean						
Flange and blade fixing devices	Clean						
Motor cooling fans	Clean						
Belts tension	Check tension and adjust						
Water pan	Clean						
Water pump	Clean						
Water hoses and nozzles	Clean						
Water pump filter	Clean						
Head guiding bars	Clean						
Motor housing	Clean						
Reachable nuts and screws	Tighten up						

Maintenance of the motor

Always perform the maintenance of the motor with the machine isolated from the electrical supply.

Adjustment and replacement of the belts

To adjust the belts, firstly remove the belt guard by unscrewing the 6 nuts. Loosen the 4 motor bolts and shift the motor by using the two screws on the side.

To replace the belts, move the motor completely forward. Adjust the belts and retighten them by shifting the motor to the left.

Always use a matched set of belts. Do not replace single belts.

Lubrication

The Jumbo 900/1000 uses life-lubricated bearings. Therefore, you don't need to lubricate the machine at all.

Cleaning of the machine

Your machine will last longer if you clean it thoroughly after each day of work, especially water pump, water pan, motor, blade flange and cutting head rails.

7 FAULTS: CAUSES AND CURES

7.1 *Fault-finding procedures*

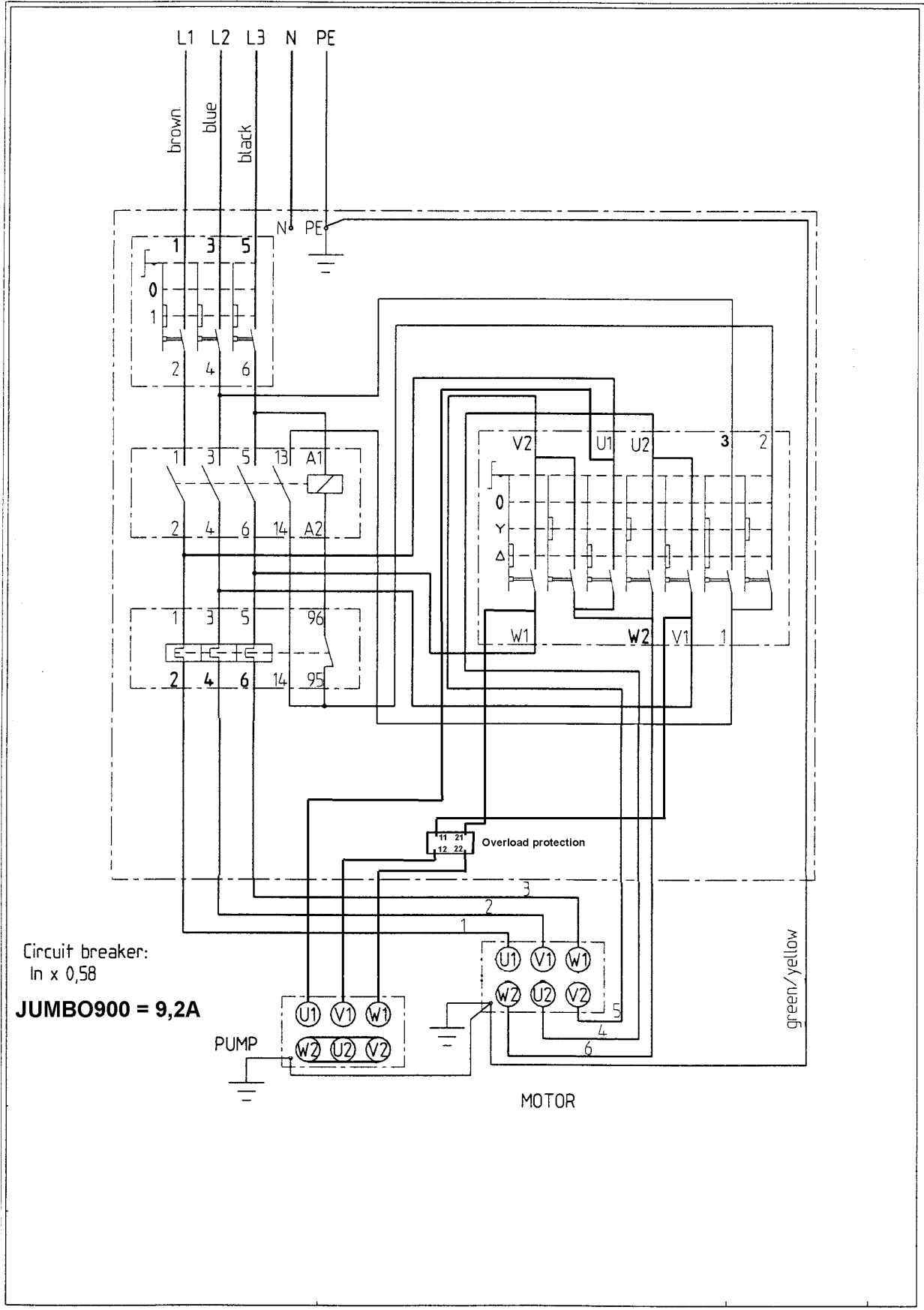
Should any fault occur during the use of the machine, turn it off, and isolate it from the electrical supply. Any works dealing with the electrical system or supply of the machine can only be carried out by a qualified electrician.

7.2 *Trouble-shooting guide*

Trouble	Possible source	Resolution
Wrong direction of rotation	Wrong motor polarity	Invert polarity on male plug
Motor is not running	No electricity	Check the electrical supply (fuse for example)
	Connection cable section too small	Change connection cable
	Defective connection cable	Change connection cable
	Defective switch	CAUTION : can only be solved by qualified electrician
	Defective motor	Change motor or contact motor manufacturer
Blade is not turning	Belts not tightened or defective	Check the belts tension and change them if needed
Motor does not have its full power, or the thermal protection trips as soon as you start the machine	Wrong voltage	Check if the voltage of the electric supply correspond to the voltage of your machine
	Stronger fault	Contact nearest engine maintenance centre
Motor stops during the cutting, but can be restarted after a short period	Cutting advance too quick	Cut slowly
	Blade is blunt or glazed	Sharpen the blade in calcareous stone
	Defective blade	Change blade
	Wrong blade corresponding to the application	Change blade
No water on the blade	Not enough water in the pan	Refill the water pan
	Water supply system is blocked up	Clean water supply system
	Water pump is not working	Turn the machine off and clean the pump thoroughly Reactivate security switch CAUTION : if switch trips again, problem can only be solved by a qualified electrician

7.3 Circuit diagram

Machine 400V (JUMBO 900 and 1000)



7.4 Customer service

When ordering spare parts, please mention:

- The serial number (9 digits).
- The code of the part.
- The exact denomination.
- The number of parts required.
- The delivery address.
- Please indicate clearly the means of transportation required such as "express" or "by air". Without specific instructions, we will forward the parts through the means which seem appropriate to us - -- but which is not always the quickest way.

Clear instructions will avoid problems and faulty deliveries.

If not sure, please send us the defective part.

In the case of a warranty claim, the part must always be returned for evaluation.

Spare parts for the motor can be ordered with the manufacturer of the motor or with their dealer, which is often quicker and cheaper.

This machine has been manufactured by Saint-Gobain Abrasives S.A.

190, Bd. J. F. Kennedy

L- 4930 BASCHARAGE

Grand-duché de Luxembourg.

Tel. : 00352-50401-1

Fax : 00352- 50 16 33

<http://www.construction.norton.eu>

e-mail: sales.nlx@saint-gobain.com

Guarantee can be claimed and technical support obtained from your local distributor where machines, spare parts and consumables can be ordered as well:

SAINT-GOBAIN ABRASIVES NV/SA
INDUSTRIELAAN 129
1070 ANDERLECHT/BRUSSEL
BELGIUM
TEL: +32 (0)2 267 21 00
FAX: +32 (0)2 267 84 24

SAINT-GOBAIN ABRASIVES, S.R.O.
POČERNICKÁ 272/96, MALEŠICE
108 00 PRAHA 10
CZECH REPUBLIC
TEL: +420 255 719 326
FAX: +420 255 719 321

SAINT-GOBAIN ABRASIVES A/S
ROBERT JACOBSENS VEJ 62A
2300 KØBENHAVN S
DENMARK
TEL: +45 4675 5244

PO BOX 643706
FORTUNE TOWER OFFICE 2106
JLT BLOCK C
(NEXT TO METRO STATION)
JUMEIRA LAKE TOWER, DUBAI
UNITED ARAB EMIRATES
TEL: +971 4 431 5154
FAX: +971 4 431 5434

SAINT-GOBAIN ABRASIFS
RUE DE L'AMBASSADEUR - B.P.8
78 702 CONFLANS CEDEX
FRANCE
TEL: +33 (0)1 34 90 40 00
FAX: +33 (0)1 39 19 89 56

SAINT-GOBAIN ABRASIVES GMBH
BIRKENSTRASSE 45-49
D-50389 WESSELING
GERMANY
TEL: +49 (0) 2236 703-1
+49 (0) 2236 8996-0
+49 (0) 2236 8911-0
FAX: +49 (0) 2236 703-367
+49 (0) 2236 8996-10
+49 (0) 2236 8911-30
FÜR DEN FACHHANDEL
ÖSTERREICH
TEL: +43 (00) 662 430 076

SAINT-GOBAIN ABRASIVES KFT.
1225 BUDAPEST
BÁNYALÉG U. 60/B.
HUNGARY
TEL: +36 1 371 22 50
FAX: +36 1 371 22 55

SAINT-GOBAIN ABRASIVI S.P.A
VIA PER CESANO BOSCONI 4
I-20094 CORSICO MILANO
ITALY
TEL: +39 02 44 851
FAX: +39 02 44 78 266

SAINT-GOBAIN ABRASIVES S.A.
190 RUE J.F. KENNEDY
L-4930 BASCHARAGE
GRAND DUCHE DE LUXEMBOURG
TEL: +352 50 401 1
FAX: +352 50 16 33
NO. VERT (FRANCE) 0800 906 903

SAINT-GOBAIN ABRASIFS, S.A.
2 ALLÉE DES FIGUIERS
AIN SEBAAË - CASABLANCA
MOROCCO
TEL: +212 5 22 66 57 31
FAX: +212 5 22 35 09 65

SAINT-GOBAIN ABRASIVES BV
GROENLOSEWEG 28
7151 HW EIBERGEN
P.O. BOX 10
7150 AA EIBERGEN
THE NETHERLANDS
TEL: +31 545 466466
FAX: +31 545 474605

SAINT-GOBAIN ABRASIVES AS
POSTBOKS 11, ALNABRU,
0614 OSLO
BROBEKKVEIEN 84,
0582 OSLO
NORWAY
TEL: +47 63 87 06 00
FAX: +47 63 87 06 01

SAINT-GOBAIN HPM POLSKA SP. Z O.O.
UL. NORTON 1
62-600 KOŁO
POLAND
TEL: +48 63 26 17 100
FAX: +48 63 27 20 401

SAINT-GOBAIN ABRASIVOS, L. DA
ZONA INDUSTRIAL DA MAIA
I-SECTOR VIII, NO. 122
APARTADO 6050
4476 - 908 MAIA
PORTUGAL
TEL: +351 229 437 940
FAX: +351 229 437 949

SAINT-GOBAIN GLASS
BUSINESS UNIT ABRASIVI
PUNCT DE LUCRU: LOC.VETIS, JUD.
SATU MARE 447355
STR. CAREIULUI 11
PARC INDUSTRIAL RENOVATIO
ROMANIA
TEL: 0040-261-839.709
FAX: 0040-261-839.710

SG HPM RUS
58, F. ENGELS STR.
STROENIE 2
105082 MOSCOW
RUSSIA
TEL: +74 955 408 355
FAX: +74 959 373 224

SAINT-GOBAIN
ABRASIVES (PTY) LTD
2 MONTEER ROAD
ISANDO 1600
P.O. BOX 67
SOUTH AFRICA
TEL: +27 11 961 2000
FAX: +27 11 961 2184/5

SAINT-GOBAIN ABRASIVOS, S.A.
CTRA. DE GUIPÚZCOA, KM. 7,5
E-31195 BERRIOPLANO (NAVARRA)
SPAIN
TEL: +34 948 306 000
FAX: +34 948 306 042

SAINT-GOBAIN ABRASIVES AB
BOX 495
SE-191 24 SOLLENTUNA
SWEDEN
TEL: +46 8 580 881 00
FAX: +46 8 580 881 01

SAINT-GOBAIN INOVATIF
MALZEMELER VE AŞINDIRICI
SAN. TIC. A.Ş.
GOLD PLAZA, ALTAY ÇEŞME
MAHALLESİ, ÖZ SOKAK, NO:19/16
34843 MALTEPE-ISTANBUL,
TURKEY
TEL: 0090-216-217 12 50
FAX: 0090-216-442 40 74

SAINT-GOBAIN ABRASIVES LTD.
DOXEY RD
STAFFORD
ST16 1EA
UNITED KINGDOM
TEL: +44 1785 222 000
FAX: +44 1785 213 487



Saint-Gobain Abrasifs
190 Rue J.F. Kennedy
L-4930 Bascharage
Grand Duché de Luxembourg
Tel: +352 50 4011
Fax: +352 50 16 33
no. vert (France) 0800 906 903

www.nortonabrasives.com/