

CGW

SPARE PARTS LIST



NORTON
SAINT-GOBAIN®

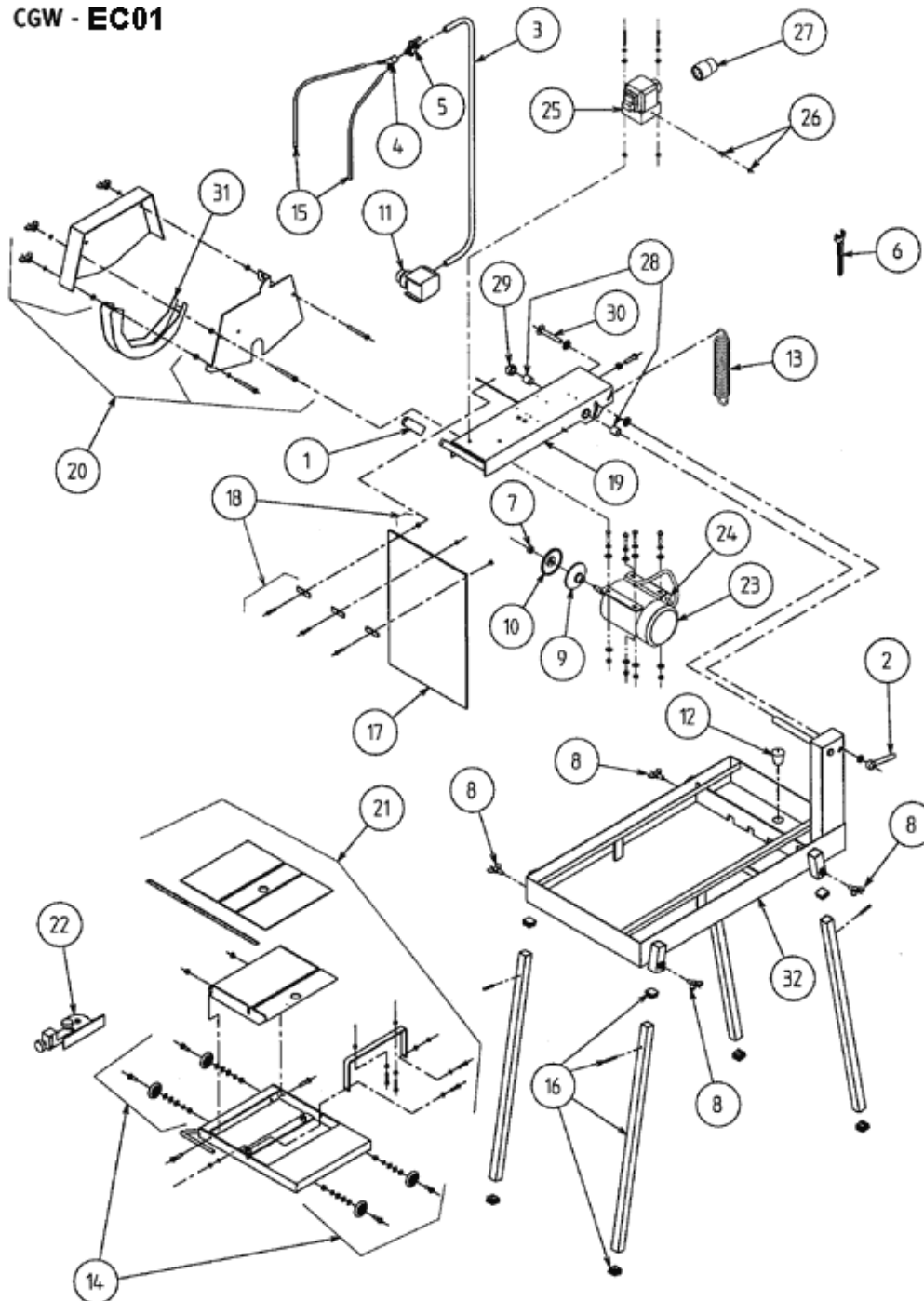
clipper®

1 Spare parts list

POS	CODE	DESCRIPTION	TYPE (*)	REMARKS
1	310004051	Handle	S	
2	310004191	Blocking handgrip	S	
3	310002069	Hose from pump to blade	W	
4	310004233	Y distributor	W	
5	310004262	Water tap	W	
6	310004306	Spanner 19mm	S	
7	310048259 310004393	Nut, blade shaft mot.230V Nut, blade shaft mot.115V	S	
8	310035383	Leg fitting screw	S	
9	310048257	Inside collar	S	
10	310048258	Outside collar	S	
11	310004389 310005623	Electrical water pump 230V Electrical water pump 115V	W W	Machines 70184613934, 70184613947, 70184613966 and 70184613995 Machines 70184613948 and 70184614029
	310006221	Strainer water pump	S	
12	310005257	Drain plug	S	
13	310004305	Spring cutting head	S	
14	310004676	Sheaves (set of 4)	W	
15	310002235	Tubes water nozzles(set of 2)	W	
16		Support leg	S	
17	310007307	Water curtain	W	
18		Water curtain fixing kit	S	
19		Cutting head	S	
20	310005261	Blade guard	S	
21	310005262	Conveyor cart compl.	S	
22	310064856	Guide-a-cut (aluminium)	W	
23	310047701	Electric motor 230V Electric motor 110V	S S	Machines 70184613934, 70184613947, 70184613966 and 70184613995 Machines 70184613948 and 70184614029
24		Starting condensator 230V Starting condensator 115V	S S	Machines 70184613934, 70184613947, 70184613966 and 70184613995 Machines 70184613948 and 70184614029
25	310005263 310005622	Main switch 230V Main switch 115V	W W	Machines 70184613934, 70184613947, 70184613966 and 70184613995 Machines 70184613948 and 70184614029
27		Female plug	W	
28	310005129	Self lubricating ring (set of 2)	W	
29		Locking ring	S	
30	310005264	Head locking screw	S	
31		Lower blade guard	S	Machines with code 70184613947
32	310323601	Frame	S	

2 Exploded parts drawings

CGW - EC01



(*): S = Spare part, W = Wear part

Wear parts are worn out through normal use of the machine. The wear period depends a lot on the intensity of use of the machine. Wear parts must be serviced, used and eventually changed following the indications of the manufacturer. Any wear due to normal use of the machine will not be considered as a case of warranty. Genuine Clipper replacement parts should always be used.

3 Accessories

00310005598	Side extension
-------------	----------------

www.construction.norton.eu

Saint-Gobain Abrasives

190, Bd. J. F. Kennedy
L-4930 BASCHARAGE
LUXEMBOURG

Tel: ++352 50401-1

Fax: ++352 501633

e-mail: sales.nlx@saint-gobain.com